



# Rail System

## Wall rail

Profile systems that, once screwed to the wall, allow the quick attachment of both equipment and accessories on the patient's bedhead, either for emergency hospitalization or for intensive care.

- Profiles available in aluminium or stainless steel, both for brick and plasterboard walls.

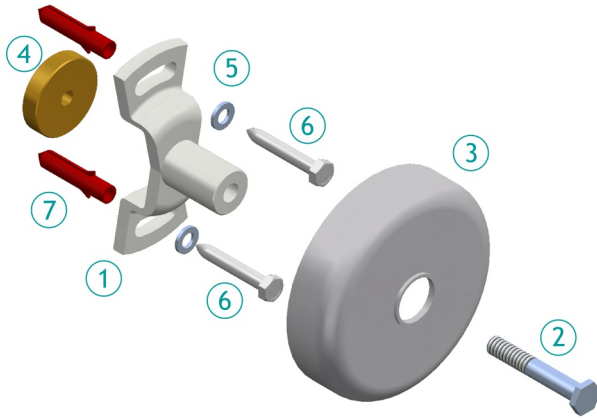


### TECHNICAL SPECIFICATIONS

- **Aluminium version:** Anodized profile of 10 x 30 mm dimensions with two wall mounted slide supports per meter and protective rubber ends.
- **Stainless steel version:** Profile of 10 x 30 mm dimensions with two wall mounted slide supports per meter and protective rubber ends.
- **Wall support:** kit composed by the actual support, a protective shield and all the necessary screws for assembly.
- **Connection piece** to connect rail sections and to avoid bumps on joints.

The technical rail kit consist in the following parts:

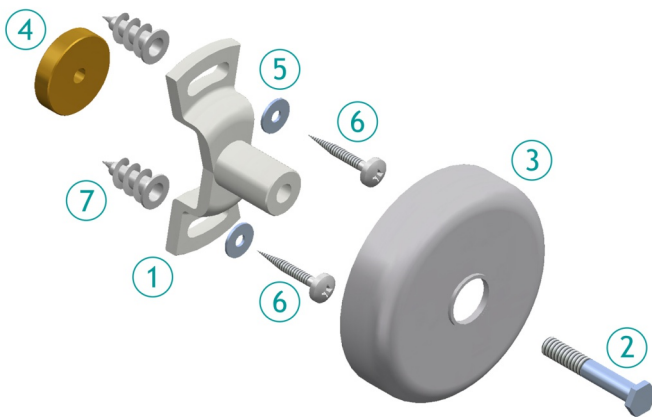
- Support kit for brick walls (13RSYS1000):



COMPONENTS

1. Support.
2. Fixing screw.
3. Trim shield.
4. Tightening disk.
5. Washer.
6. Screw.
7. Dowel for bricks

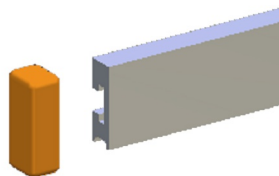
- or Support kit for plasterboard walls (13RSYS3000):



COMPONENTS

1. Support.
2. Fixing screw.
3. Trim shield.
4. Tightening disk.
5. Whaser.
6. Screw for plaster board
7. Plaster board screw dowel

- Technical rail and rubber ends for the ends:



#### IMPORTANT ADVICE:



- Before drilling any holes verify the type of wall dealt with.
- If unsure of not finding a conduction in the place where the drilling of the holes will be carried out, **DO NOT MAKE THEM**, ask the hospital employees or qualified personnel.
- The drills must be made with a drill bit adequate for the type of wall.
- The orientation of the rail supports must always be vertical (see attached pictures).
- The technical rails placed in Critical Care and Surgery Room areas must be grounded with derivation to earth.
- **ITC will not be held responsible for the problems** derived by instalations not carried out by their **own personel**.

#### Procedure:

1. We place the rail on the wall with the supports without the shield, separated approximately 50 cm (saving the possible obstacles if any, to do so slide the support through the groove of the technical rail). Once levelled, mark the position of the drills. (fig. 1)
2. Drills must be carried out before on the surface of the brick for nylon dowels (fig. 2), not being necessary for plasterboard screw fixings (fig. 3).

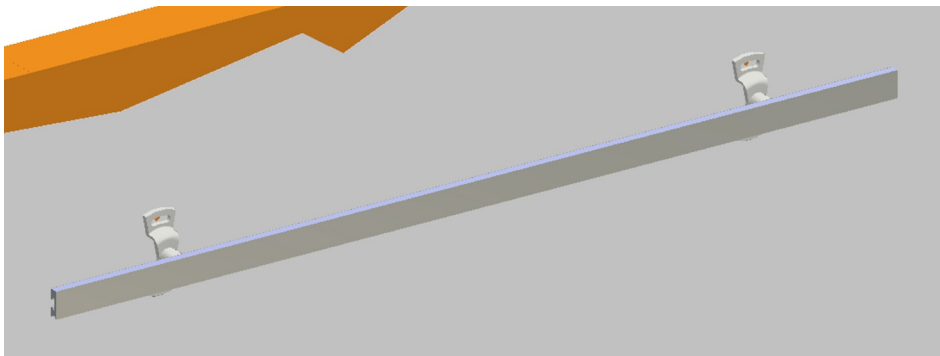


fig. 1



fig. 2



fig. 3

(Note: Verify, by means of the adequate appliance or consulting with the Head of Maintenance, that the area where the support is going to be fixed, is free of any type of obstacle or canalization, both of gases and electrical).

3. Place the nylon dowels in the drill holes.
4. The lacquered zamak support must be screwed on firmly with the screws provided.
5. The trim shield must be fixed to the end of the lacquered zamak support (fig. 4).



fig. 4

6. The trim shield must be fixed to the end of the lacquered zamak support (fig. 5). Finally, protect the ends with the rubber ends (fig. 6).

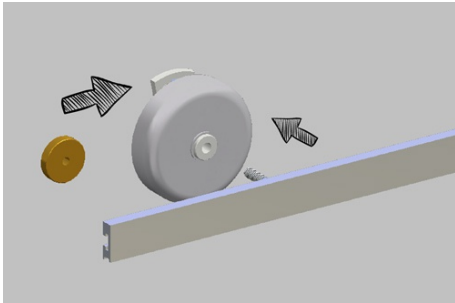


fig. 5

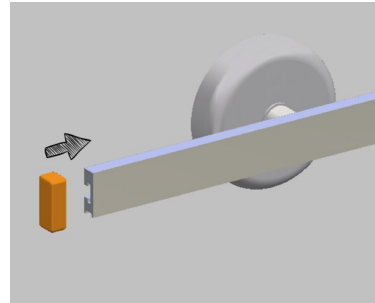
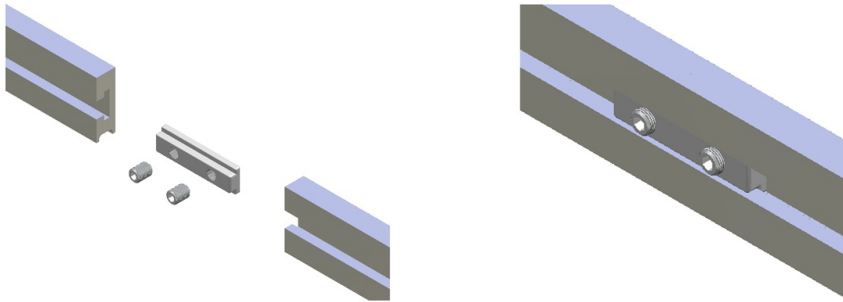


fig. 6

### Accessories

- 13ACCS9000 - Joining piece kit for rails, to extend successive parts of rail in a continuous way.



For the connection, proceed in the following way:

- Place half of the nut of the kit in one of the sections to connect and attach it with the threaded stud.
- Place the section to connect and insert the rest of the nut in the rail, tightening the threaded stud (*continuity between the surfaces of the technical rail must be achieved, avoid abrupt jumps or separations between the sections to connect as much as possible*).

To find out about all the range of compatible products with this rail system, consult the catalogue of accessories for rails.